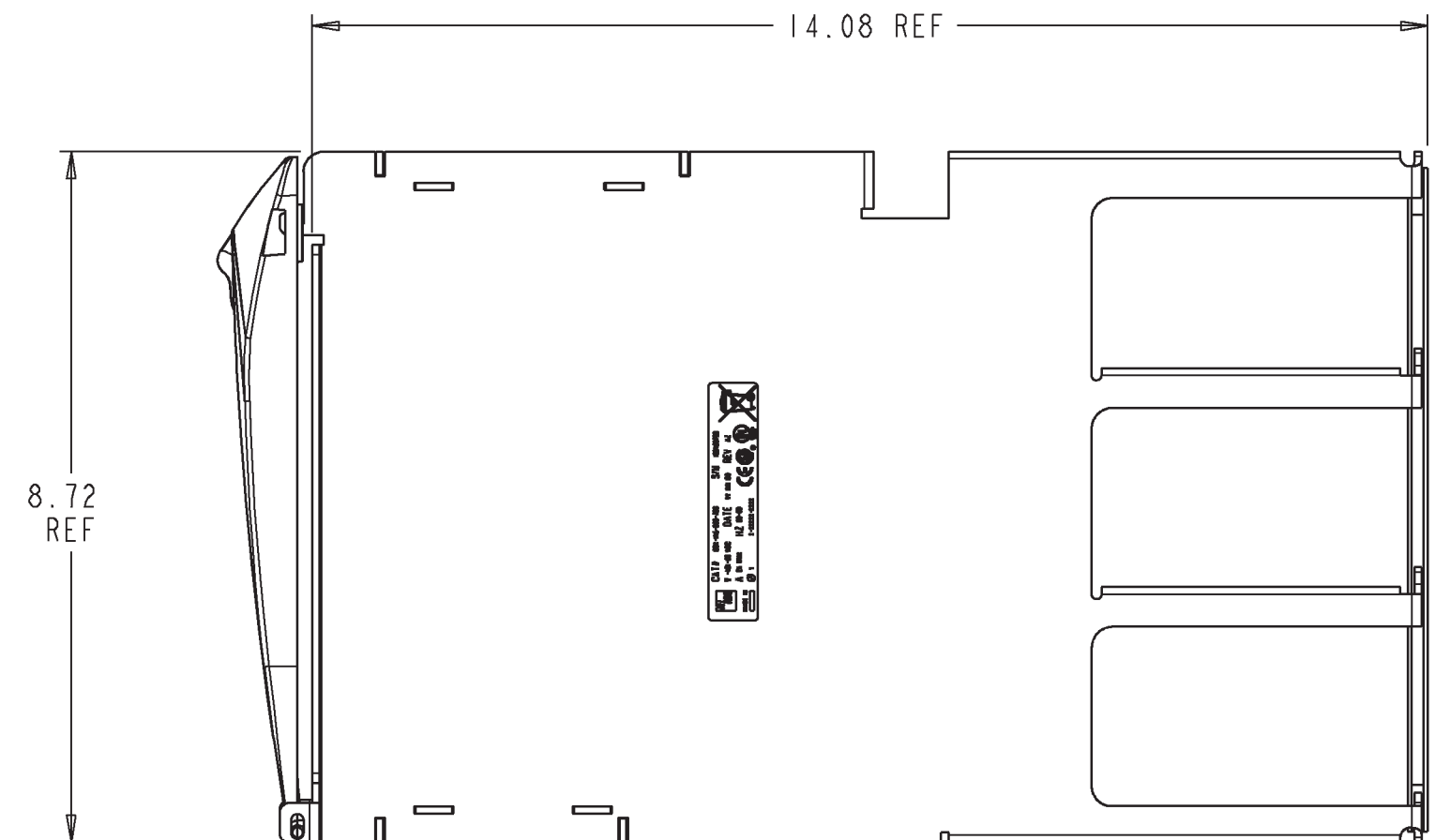
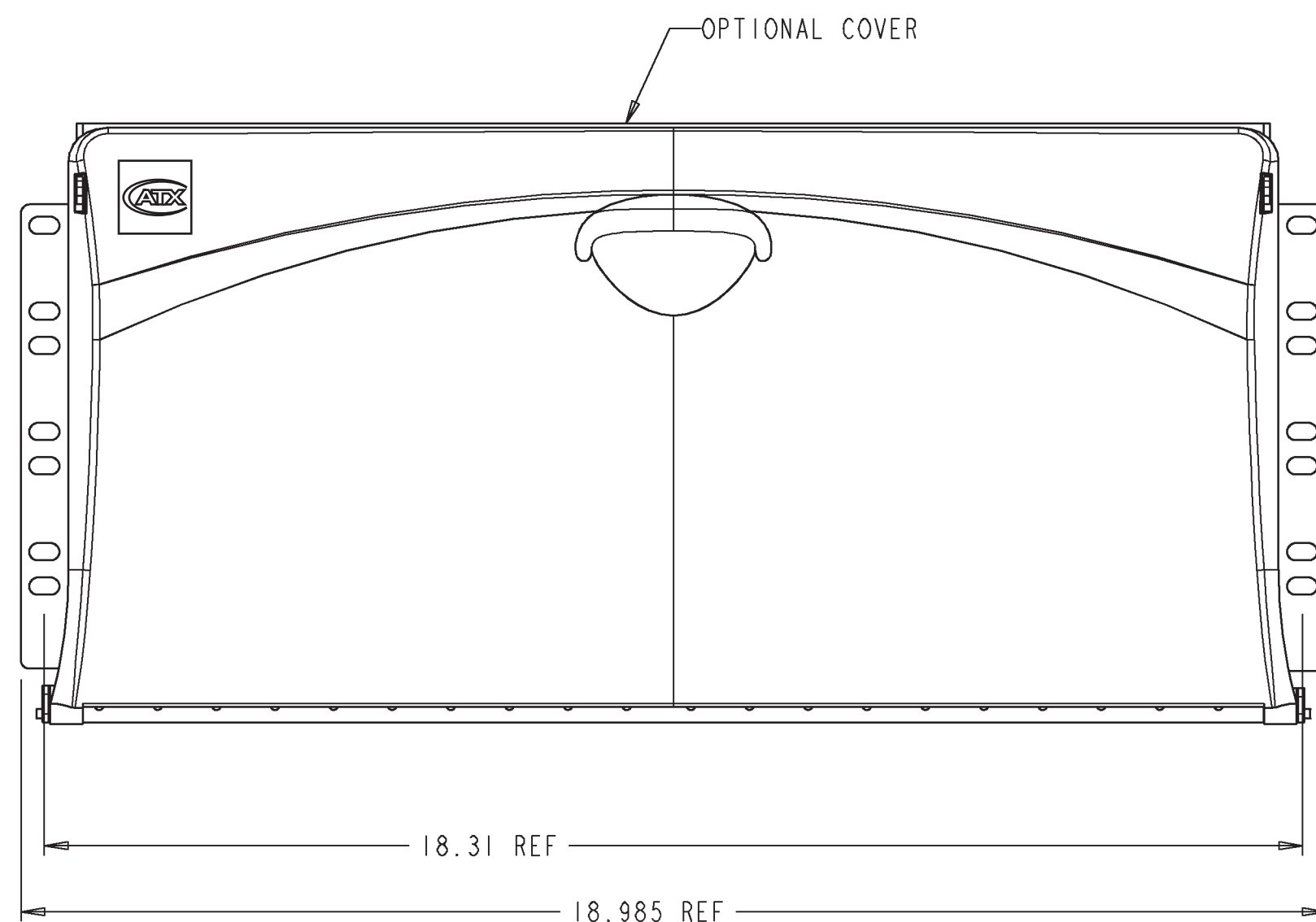
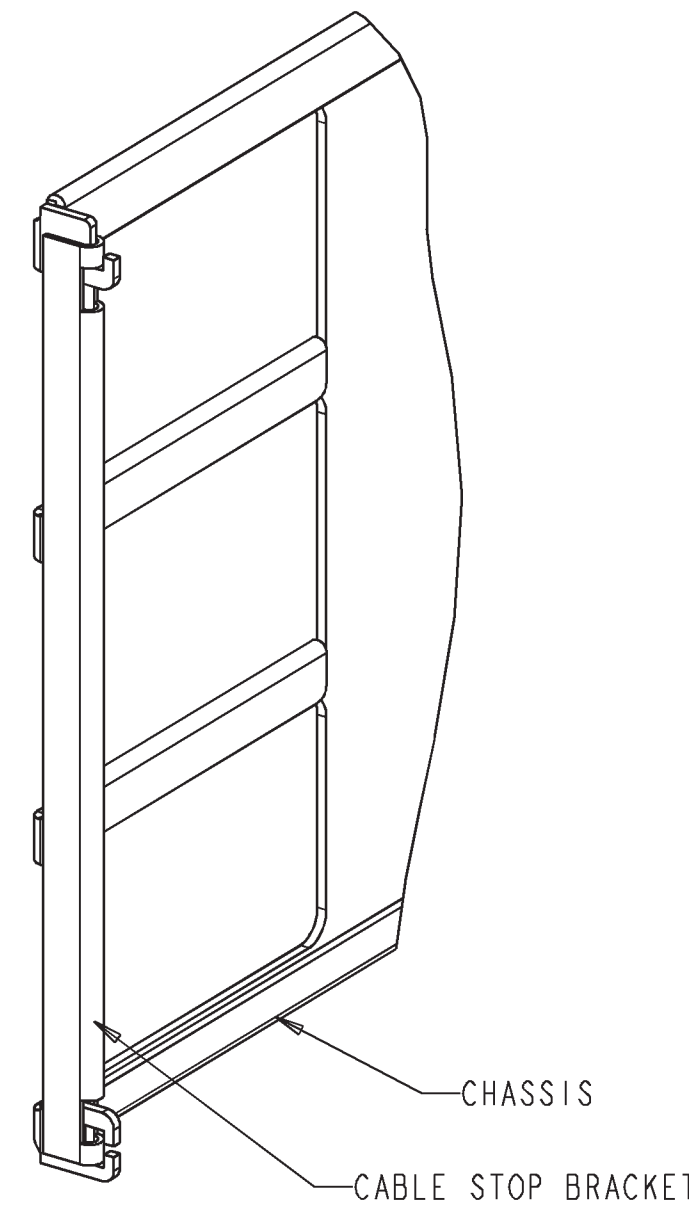
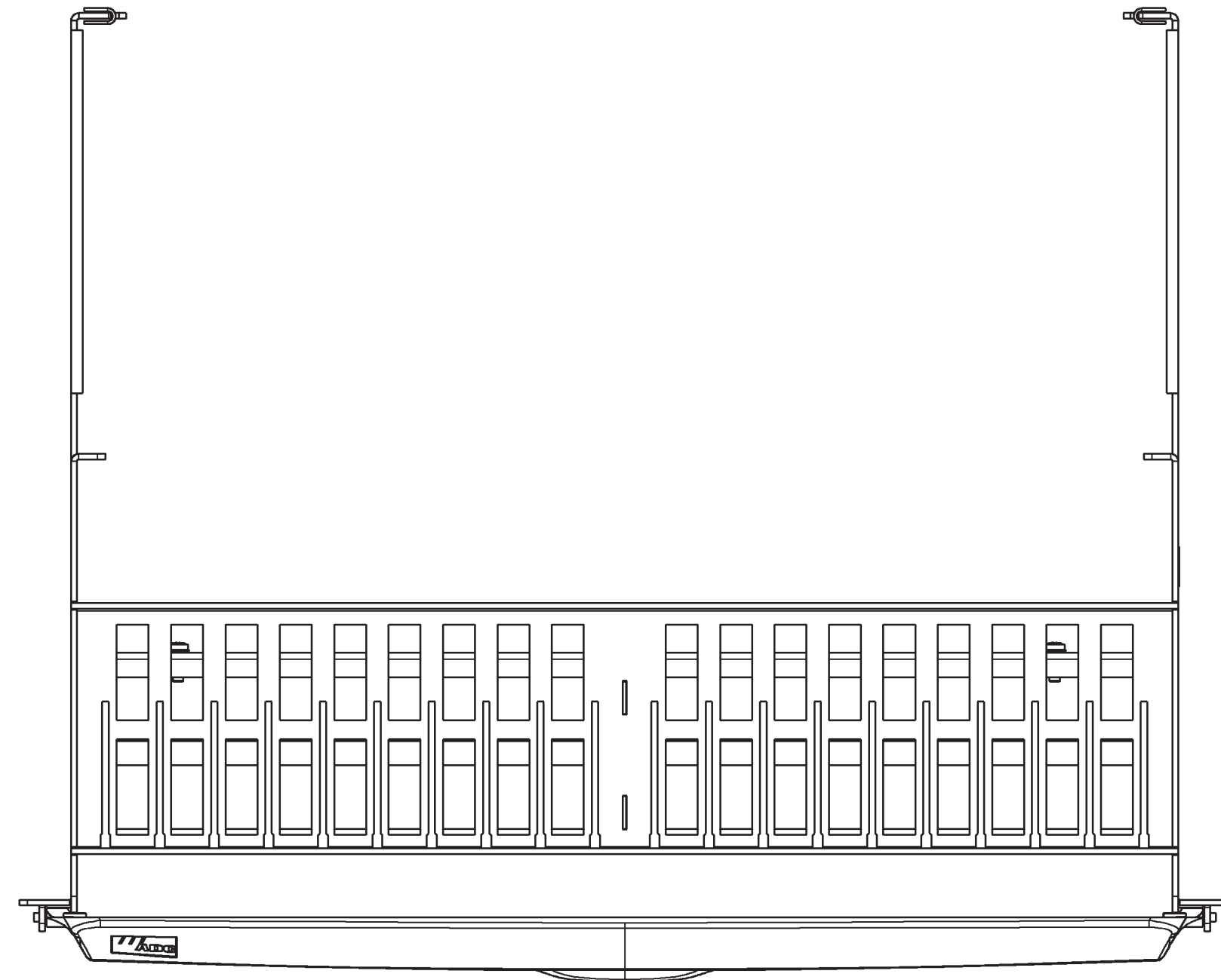


REV	MCO	DWN	DATE
B	20139539	TMB	05-SEP-05
C	20195077	TMB	08-JUN-06

NOTES:

- ITEMS INCLUDED WITH UNIT: (1) CHASSIS DOOR
(2) CABLE STOP BRACKET
- INSTALL OPTIONAL COVER TO THE CHASSIS
(SEE MANUAL IN SUPPORT SECTION ON WEBSITE FOR INSTRUCTIONS)
- INSTALL CHASSIS INTO CABINET USING 10-32 X .25 SCREWS
OR IN A RACK USING THE 12-24 X .25 SCREWS.
- CABLE STOP BRACKETS NOT ASSEMBLED BY ATX.
BRACKETS TO BE IN SEPARATE BAG IN PACKAGING.
- AFTER CABLES HAVE BEEN ROUTED THROUGH CABLE RING,
SLIDE CABLE STOP THROUGH BOTTOM NOTCH, ROTATE PLACE OVER
HOOK AND SLIDE DOWN, CABLE BRACKET IS NOW IN TO POSITION.



.31 REF SCALE 0.630
 1.25 REF
 1.75 REF
 .50 REF

18.31 REF
 18.985 REF

ZN CLEAR TRIVALENT CAT # N-C20VN-NEBS

BLACK CAT # N-C20VNB



INFORMATION ON THIS DOCUMENT IS PROPRIETARY TO ATX AND SHALL NOT BE USED, COPIED, REPRODUCED OR DISCLOSED IN WHOLE OR IN PART WITHOUT WRITTEN CONSENT OF ATX.	TITLE	SignalOn PASSIVE CHASSIS, 20 POSITION BLACK, ZN CLEAR TRIVALENT	
	ALL DIMS AND TOLERANCES ARE INCHES UNLESS OTHERWISE SPECIFIED	SIZE	DRAWING NUMBER
DO NOT SCALE DRAWING	ENGR: Z. BLUBAND DWN: T. MCCLELLAN	C	1255211
		C	REV
		SHT. 1 OF 1	

DIMENSIONS IN INCHES
THIRD ANGLE PROJECTION